



SISTEMA NATURALE FF-NS-XXXL

DATI TECNICI

Codice	Collettore Solare	Serb. Solare	Base di Appoggio	Comp. Base	Kit Inst.	Sup. Lorda (m ²)
FF-NS-160L	1 x FF2504V	FF160-2	FF169-2	FF160-LPNV	FF160	2,53
FF-NS-200L	1 x FF2504V	FF200-2	FF228-2	FF200-LPNV	FF160	2,53
FF-NS-300L	2 x FF2504V	FF300-2	FF328-2	FF300-LPNV	FF300	5,06



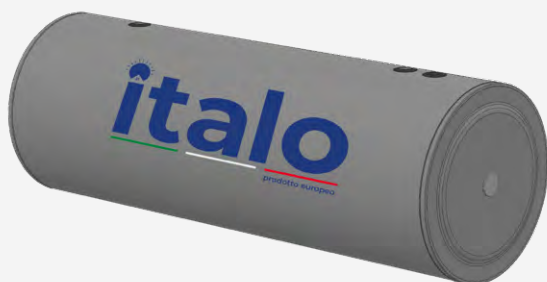
COLLETTORE SOLARE



Model	FF2504V	
Gross area	m ²	2,53
Gross length	mm	2040
Gross width	mm	1240
Gross height	mm	89
Efficiency	n0	0,767
Gross thermal yield	W/m ² (Wurzberg @50C)	507
Gross thermal yield	W (Wurzberg @50C)	1283
Annual efficiency		41%

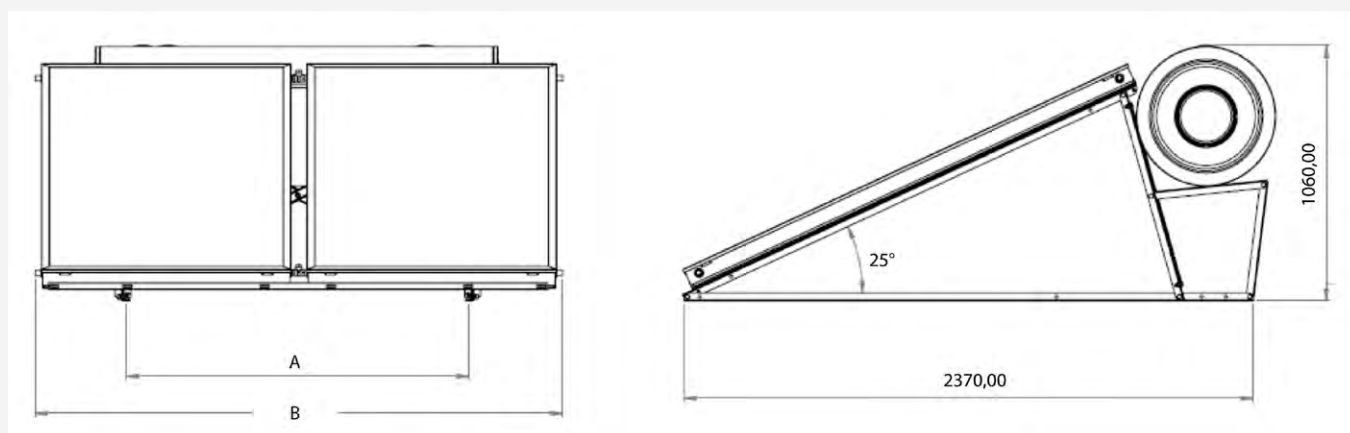


SERBATOIO SOLARE



Model	FF160-2	FF200-2	FF300-2
Dimensions	Ø580x1050mm	Ø580x1250mm	Ø580x1750mm
Capacity	150l	191l	272l
Heat exchanger	Jacket	Jacket	Jacket
Insulation	PU foam	PU foam	PU foam
Insulation thickness	50mm	50mm	50mm
External sheet	RAL9006	RAL9006	RAL9006
Back up	Electrical element 1,5kW	Electrical element 1,5kW	Electrical element 1,5kW
Internal protection	2 x mg anodes	2 x mg anodes	2 x mg anodes

BASE DI APPOGGIO



Model	FF169-2	FF228-2	FF328-2
A	745mm	980mm	1420mm
B	1240mm	1240mm	2540mm

COMPONENTI BASE

	FF160-LPNV	FF200-LPNV	FF300-LPNV
Metal part L500	4	4	4
Metal part L900	2	2	2
Metal part L2077	2	2	2
Metal part L2370	2	2	2
Collector holder G1030	2	2	-
Collector holder G2077-230	-	-	-
Collector holder G2077-300	-	-	2
Cross bar 1123	2	-	-
Cross bar 1304	-	2	-
Cross bar 1679	-	-	2
Bolt M10x20	17	17	17
Bolt T M8x20	4	4	8
Bolt sink M10x25	4	4	4
Nut M10	21	21	21
Nut M8	4	4	8
Flat washer M10	21	21	21
Flat washer M8x24	4	4	8

KIT INSTALLAZIONE

	FF160	FF300
Safety valve 3 bar	1	1
Nipple 3/4	3	3
Safety valve 10 bar	1	1
Plug 3/4 male	3	3
Compression elbow DN16x22	2	2
Compression plug 22mm	2	2
Compression straight 22x22mm	-	2
Stainless steel flexible pipe	2,70m	2,80m
T fitting 3/4 female	1	1
Filling vessel	1	1
Reduction fitting 3/4x1/2	1	1
One-way valve	1	1
Fitting DN16x3/4 female	1	1
Fitting DN16x3/4 male	1	1
Glycol	2	5